

Features

1 or 2 Pole electromechanical step relay, for electrically common coil and contact circuits

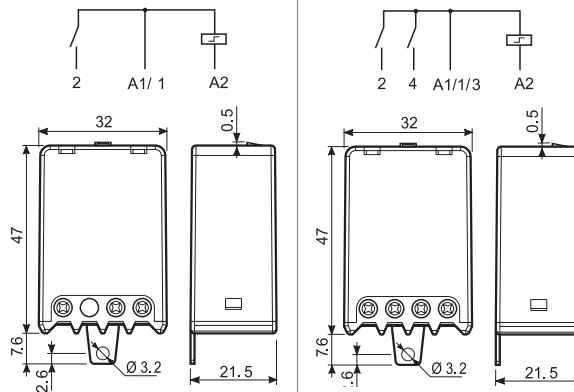
- Choice of 3 switching sequences
- Screw terminal connections
- AC coil
- Panel mount
- Possible to connect illuminated push buttons with the additional part 027.00
- Cadmium free contact materials

27.01


- Single phase switch
1 NO (SPST-NO)

27.05/06


- Double phase switch
2 NO (DPST-NO)



Contact specification

Number of contacts	1		2		
Rated current/Maximum peak current	A 10/20		10/20		
Rated voltage/Maximum switching voltage V AC	110/110	230/230	110/110	230/230	
Rated load AC1	VA 1,100	2,300	1,100	2,300	
Rated load AC15	VA 250	500	250	500	
Nominal lamp rating:	incandescent	W 500	1,000	500	1,000
	compensated fluorescent	W 180	360	180	360
	uncompensated fluorescent	W 250	500	250	500
	halogen	W 400	800	400	800
Minimum switching current	mW (V/mA)	10		10	
Standard contact material		AgNi		AgNi	

Coil specification

Nominal voltage (U _N)	V AC (50/60 Hz)	110	230	110	230
	V DC	—		—	
Rated power AC/DC	VA (50 Hz)/W	4/—		4/—	
Operating range	AC 50Hz/AC 60Hz	(0.8 ... 1.1)U _N /(0.85 ... 1.1)U _N		(0.8 ... 1.1)U _N /(0.85 ... 1.1)U _N	
	DC	—		—	

Technical data

Mechanical life AC/DC	cycles	300 · 10 ³		300 · 10 ³	
Electrical life at rated load in AC1	cycles	100 · 10 ³		100 · 10 ³	
Minimum/Maximum impulse duration		0.1s/1h (according to EN 60669)		0.1s/1h (according to EN 60669)	
Insulation between coil and contacts (1.2/50 μs)	kV	4		4	
Ambient temperature range	°C	-40...+40		-40...+40	
Protection category		IP 20		IP 20	

Approvals (according to type)



Ordering information

Example: 27 series screw terminal, panel mount relay, single phase switch 1 NO (SPST-NO) 10 A contact, coil rated 230 V AC.

2 7 . 0 1 . 8 . 2 3 0 . 0 0 0 0

Series ————
Type ————
 0 = Clamp terminal
No. of poles ————
 1 = Single phase switch 1 NO (SPST-NO)
 5 = 4 sequences double phase switch 2 NO (DPST-NO)
 6 = 3 sequences double phase switch 2 NO (DPST-NO)

Coil voltage
 See coil specifications
Coil version
 8 = AC (50/60 Hz)

Technical data

Insulation				
Dielectric strength between open contacts	V AC	1,000		
Other data				
Power lost to the environment with rated current and coil de-energised	W	0.9	27.01	
⊕ Screw torque	Nm	0.8	27.05, 27.06	
Max. wire size		solid cable	stranded cable	solid cable
	mm ²	2x2.5	1x4 / 2x2.5	2x2.5
	AWG	2x14	1x12 / 2x14	2x14

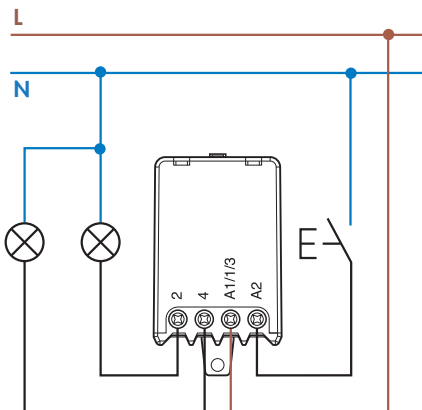
Coil specifications

AC version data

Nominal voltage U_N V	Coil code	Operating range (50 Hz)		Resistance R Ω	Consumption I at U_N (50 Hz) mA
		U_{min} V	U_{max} V		
110	8.110	88	121	1,400	42.0
230	8.230	184	253	6,500	17.5

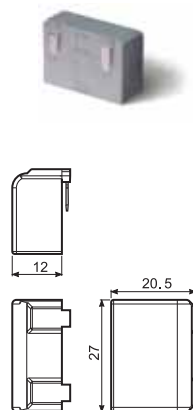
Type	Number of steps	Sequence			
		1	2	3	4
27.01	2				
27.05	4				
27.06	3				

Wiring diagram

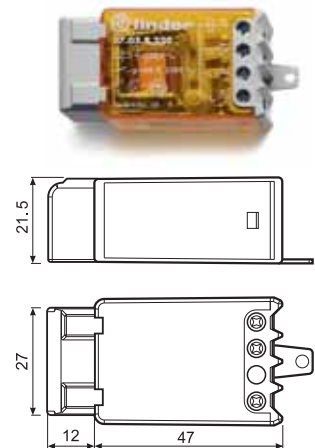


Accessories

Module for illuminated push-button (230 V AC applications)



Type 027.00
 This module is necessary if using up to a maximum of 15 illuminated push-buttons (1 mA max, 230 V AC) in the switching input circuit. It must be plugged directly into the relay.



Relays 27 series + 027.00